

## Parts

### INCLUDED:

- System Head with Attachable Bracket
- Direct Connect Filter
- Water Supply Adapter
- 3/8" Plastic Tubing

## Tools & Materials Required



- Screwdriver
- Adjustable Wrench
- Utility Knife
- Drill and 1/8" Drill Bit
- Mounting Screws
- Silicone Lubricant
- Tape Measure
- Safety Glasses
- Pencil
- Pan or Bucket
- 1/4" Wrench SAE

## Specifications

System	Certification Flow Rate (GPM)	Capacity
CS-1000	1.25	651

## Precautions

**WARNING:** Do not use with water that is microbiologically unsafe or of unknown quality without adequate disinfection before or after the system.

**CAUTION:** Filter housing must be protected against freezing temperatures, frost, snow, sleet, and ice. Exposure to these elements can produce cracks and product failures.

**CAUTION:** This product has a limited service life. We recommend that a record be kept regarding the date of install and any other performed maintenance. Because of the product's limited service life and to prevent costly repairs or possible water damage; we strongly recommend that the head of the filter be replaced every ten years.

**CAUTION:** Please wear safety glasses to protect eyes when drilling.

**CAUTION:** Turn off water supply to head and remove the cartridge if it must be left unattended for an extended period of time.

- For cold water use only. Do not use on hot water line.
- After prolonged periods of non-use (such as vacation) it is recommended that the system be flushed thoroughly. Let water run 5-6 minutes before using.
- The filters recommended for use with this system carry a limited service life. Changes in taste, odor, color, and/or flow of the water being filtered indicate that the cartridge should be replaced.
- Make certain that installation complies with all state and local laws and regulations.
- The contaminants or other substances removed or reduced are not necessarily in your water. See the Performance Data Sheet for contaminants and reduction performance.

## 90 - DAY LIMITED MANUFACTURER'S WARRANTY

This warranty applies to the filter housing. It does not apply to any disposable filter cartridge where life expectancy varies with the water being filtered. This warranty covers defects in material and workmanship only for a period of 90 days from the original date of delivery. Hellenbrand, Inc. will replace any part which in Hellenbrand, Inc's opinion is defective, unless: (1) any part of the unit has been subjected to any type of tampering, alteration, or improper use after delivery, or (2) it has been repaired by anyone not approved by Hellenbrand, Inc. Hellenbrand, Inc. is not responsible for damage in transit, and claims for such damage should be presented to the carrier by customer. This warranty does not cover any labor, transportation, or shipping expenses incurred. The hiring of any individual or service to install or maintain this product is done at the discretion and expense of the purchaser.

This product has been designed solely for use as a housing for a disposable filter cartridge. It is NOT warranted against freezing or surges in water pressure, and neither this product nor its parts is warranted against defects or deterioration caused by uses for which the product was not expressly intended.

THE FOREGOING WARRANTY IS EXCLUSIVE AND IN LIEU OF ALL OTHER WARRANTIES, EXPRESSED OR IMPLIED, WHETHER ORAL OR ARISING BY USAGE OF TRADE OR COURSE OF DEALING, INCLUDING, WITHOUT LIMITATION, ANY WARRANTIES OF FITNESS OR MERCHANTABILITY. THIS WARRANTY IS THE PURCHASER'S SOLE AND EXCLUSIVE REMEDY, IN NO EVENT SHALL HELLENBRAND, INC. BE LIABLE FOR ANY ANTICIPATED OR LOST PROFITS, INCIDENTAL DAMAGES, CONSEQUENTIAL DAMAGES, COSTS, TIME CHARGES OR OTHER THEORY, INCURRED IN CONNECTION WITH THE PURCHASE, INSTALLATION, REPAIR OR OPERATION OF THIS PRODUCT. HELLENBRAND, INC. DOES NOT AUTHORIZE ANYONE TO ASSUME FOR IT ANY LIABILITY OR TO MAKE ON ITS BEHALF ANY ADDITIONAL WARRANTIES IN CONNECTION WITH THE FILTER HOUSING OR ANY PART THEREOF.

For servicing under this warranty, YOU MUST call Hellenbrand, Inc. Product Support at 1-608-849-3050 for instructions and authorization to return this product within the 90 day warranty period. Any items returned to Hellenbrand, Inc. without an authorized return identification number will not be accepted and returned to purchaser as undelivered. Make sure you retain a copy of the original purchase order included in delivery. Hellenbrand products are not for sale or distribution into the State of California effective 8/31/18.

**Hellenbrand**

404 Moravian Valley Road  
Waunakee, WI 53597 • USA

1-608-849-3050 • [hellenbrand.com](http://hellenbrand.com)

© 2018 HELLENBRAND, INC.

111742  
12/27/18 - Rev. F



  
**CLEAR SOLUTIONS**<sup>®</sup>

**CLEAR SOLUTIONS DIRECT CONNECT  
PRODUCT INSTALLATION GUIDE**



**For Model:  
CS-1000**

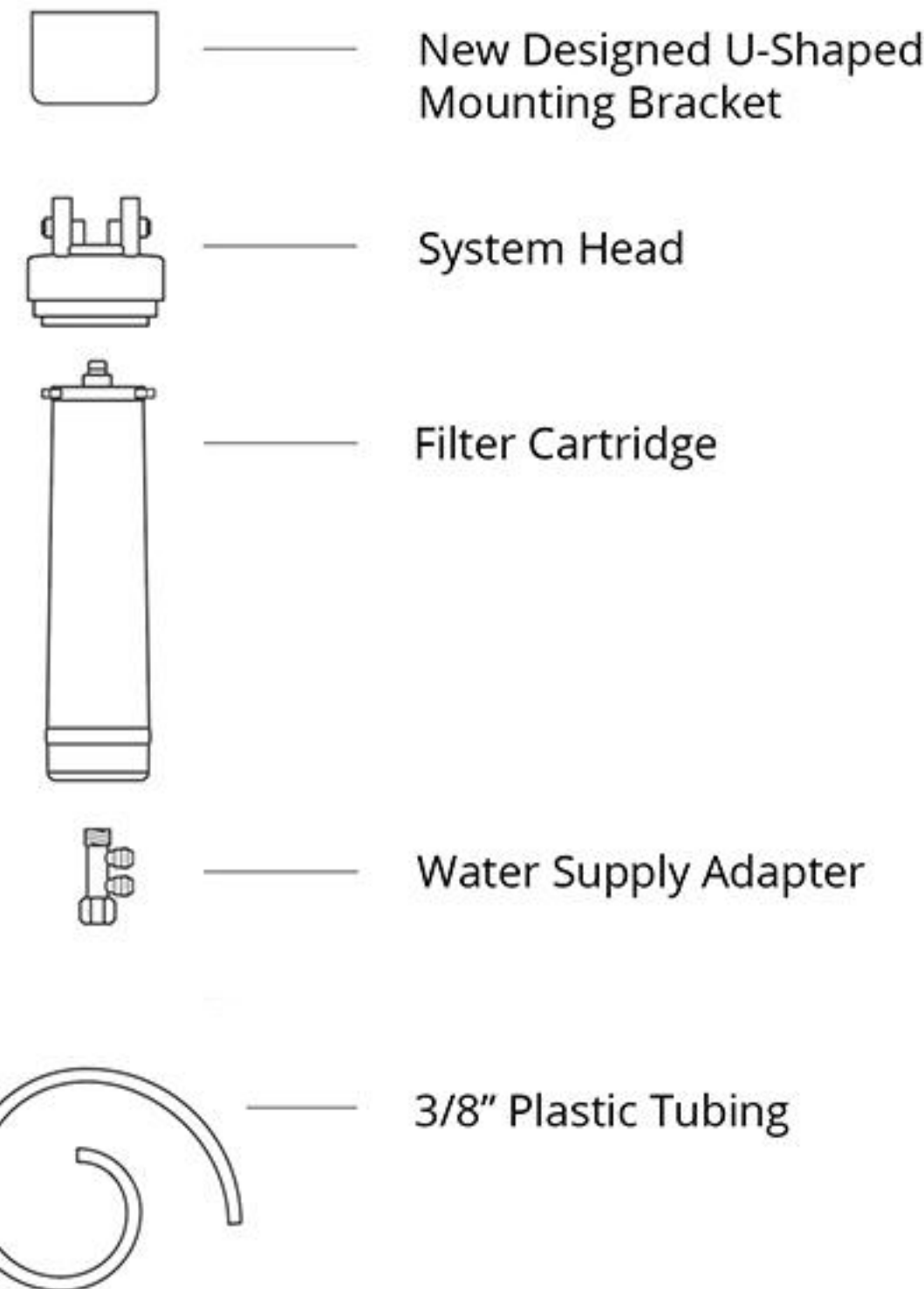


## CLEAR SOLUTIONS DIRECT CONNECT SYSTEM

### PARTS INCLUDED:



404 Moravian Valley Road  
Waunakee, WI 53597 • USA  
Customer Service: 1-608-849-3050



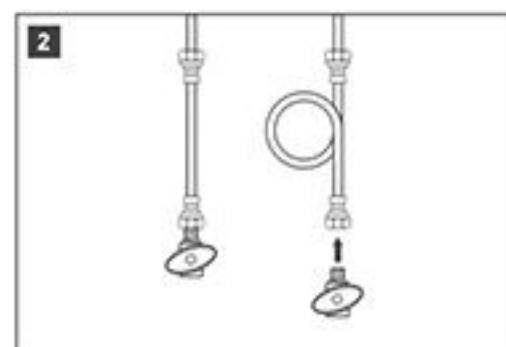
### INSTALLATION:

- Consult your local plumbing codes and install accordingly.
- Position on cabinet wall in a space that provides easy access for future cartridge changes and is within reach of water supply using tubing provided.
- If you have anything other than flexible hose under your sink, check to see if you need to purchase special fittings.

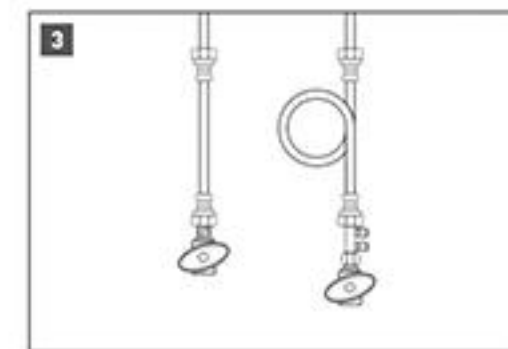
**NOTE:** Mount the filter system to a solid cabinet or wall. If a solid surface is not available, use hollow-wall anchor bolts or toggle bolts (not included) to secure to the wall.



Turn off cold water shut-off valve then turn on the kitchen faucet and allow water to drain from line.



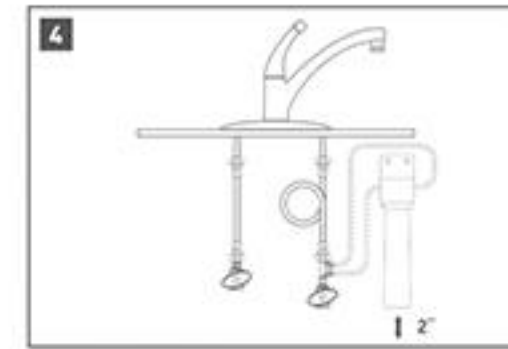
Disconnect the cold water line from the cold water shut-off valve.



Connect the water supply adapter to the cold water shut-off valve as shown.

Connect the lower end of cold water line onto the top of the water supply adapter.

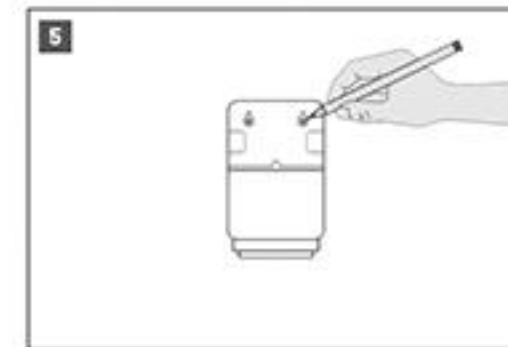
With an adjustable wrench, tighten the adapters until secure. Do not over tighten or strip threads as leaking may occur.



Choose an easy-to-access area under the sink to mount the filter system.

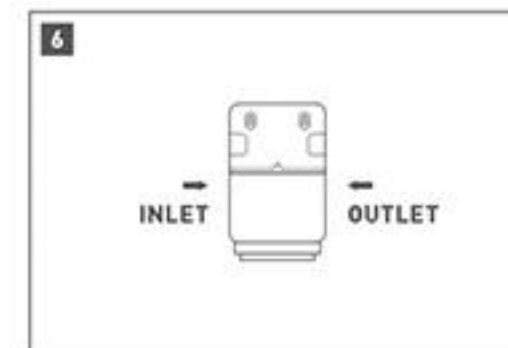
**NOTE:** Allow 2" of clearance below system to allow space for filter changes. The filter system must be mounted in a vertical position.

**NOTE:** Filter head should be mounted on a stud or firm surface.

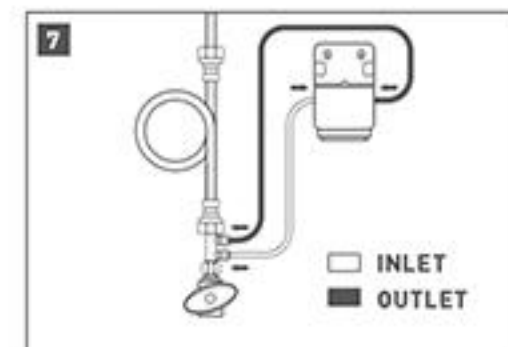


Using the mounting bracket, mark with a pencil the holes for the mounting screws on the wall surface.

Using a 1/8" drill bit, drill two pilot holes for the mounting screws. Insert mounting screws into the wall with a screwdriver leaving approximately 3/8" of each mounting screw exposed and hang the system head on the eyes of the bracket.



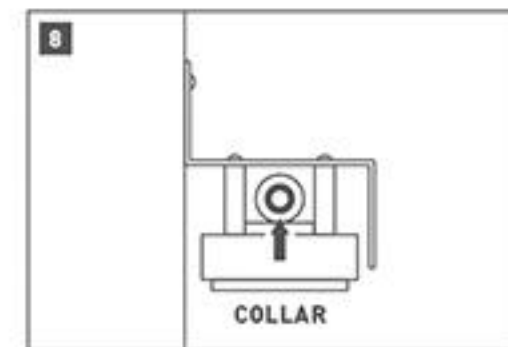
Determine two different lengths of 3/8" tubing needed to connect the system head inlet and outlet to the water supply adapter (reference image left for inlet and outlet location). Be sure to allow enough tubing to prevent kinking in the line. Cut each 3/8" plastic tubing squarely on both ends with a utility knife, making sure not to crimp the tubing during cutting.



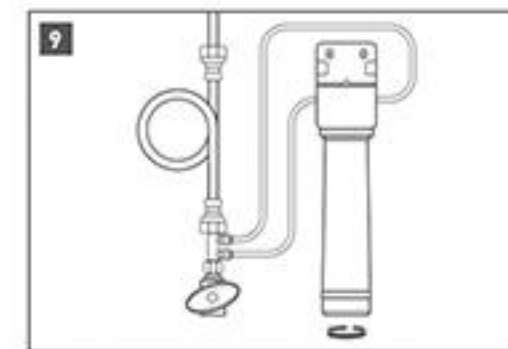
Wet one end of the 3/8" plastic tubing with water and push it into the inlet side of the system head approximately 5/8" until it stops. Connect the other end of the tubing to the inlet side of the kitchen faucet adapter.

Repeat same process with outlet side.

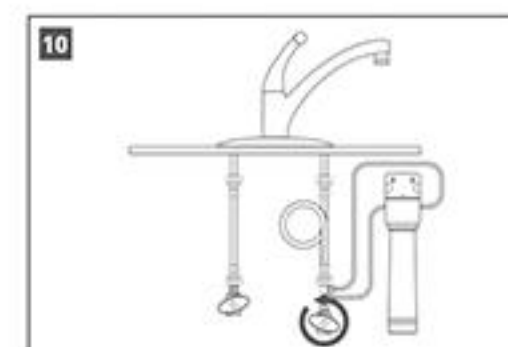
**NOTE:** Reference image left for inlet and outlet location.



**NOTE:** Routine maintenance and cartridge replacement will not require that you disconnect the tubing from the system head; however, tubing may be quickly and easily removed from the fitting if necessary. First, turn off the water supply to the filter. Open kitchen faucet, then press in the collar around the fitting while pulling the tubing with your hand.



Line up inlet and outlet ports and key of cartridge with the same position on head, insert cartridge by pushing upward, and turn right to locked position. The filter cartridge should be tight with no movement. If the cartridge is difficult to insert, apply a small amount of silicone lube on the inlet/outlet orings for easier insertion.



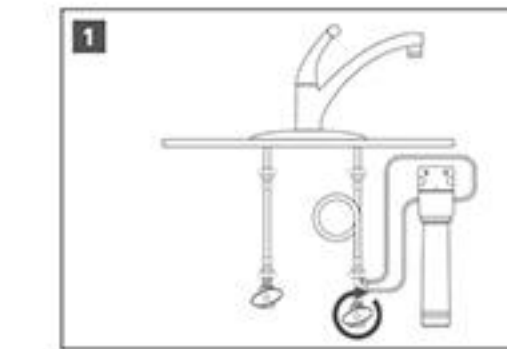
Turn on the cold water shut-off valve. Check for leaks.

Turn on faucet and allow water to run for 5 minutes to flush air and carbon fines (very fine black powder).

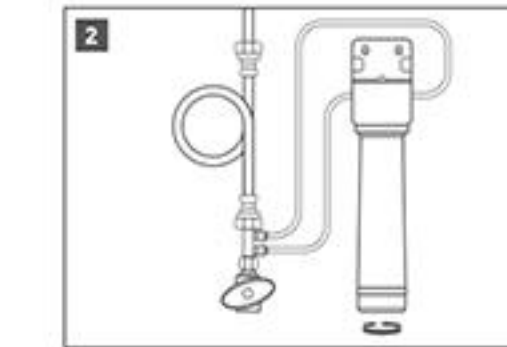
Check for leaks before leaving installation. If problems exist, refer to the troubleshooting.

### FILTER CARTRIDGE REPLACEMENT

- Replace your Clear Solutions filter every 6 months for best results.



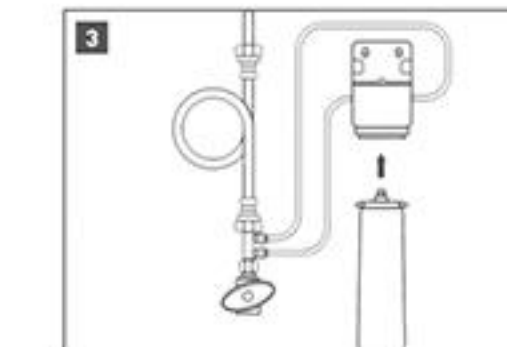
Turn off the cold water shut-off valve to the filter system and dispense water from kitchen faucet until water flow stops to relieve pressure.



Turn arrow on the filter from locked to unlocked position.

Gently pull down to remove cartridge and discard.

**NOTE:** Place a pan or bucket under the filter system to catch any water drips.



Lubricate o-rings on the top of cartridge. Line up inlet and outlet ports and key of cartridge with the same position on head, insert cartridge by pushing upward, and turn right to locked position.

Turn on faucet and let water run 5 minutes to flush air and carbon fines (very fine black powder).

**NOTE:** Mark the date the filter is installed on cartridge label.

### TROUBLESHOOTING

#### LEAKS BETWEEN THE SYSTEM HEAD ASSEMBLY AND THE FILTERS:

1. Turn off water supply to the filter and dispense water from kitchen faucet until water and airflow stops.
2. Remove cartridge and inspect o-rings to make sure they are in place and clean.
3. Install cartridge, turn on water supply and check for leaks.

#### LEAKS AROUND THE FITTINGS:

1. Turn off water supply to the filter to relieve pressure.
2. While pulling the 3/8" plastic tubing with one hand, press in on the collar around the inlet and/or outlet fitting. Check to make sure that the 3/8" plastic tubing is cut squarely and that it is not scratched or crimped. If the 3/8" plastic tubing is unevenly cut or scratched, cut off 1/2" to 5/8" and re-install tubing.
3. Turn on water supply and check for leaks.

#### LEAKS ON THE WATER SUPPLY ADAPTER CONNECTION:

1. Turn off water supply to the filter to relieve pressure.
2. Locate the water supply adapter.
  - If the 3/8" plastic tubing is leaking, follow the previous steps ("Leaks around the fittings").
  - If the thread between the water supply adapter and cold water line is leaking, tighten more securely. If leaking continues, apply plumbers tape to threads and tighten.
3. Turn on water supply and check for leaks.

If leaks persist, or if there are other leaks on system, turn off water supply. Call Product Support for assistance at 1-608-849-3050.

**Questions? Call Product Support at 1-608-849-3050**